

5

4

3

2

1

D

D

C

C

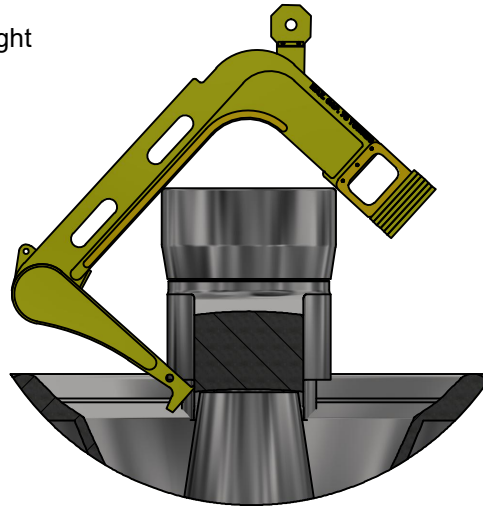
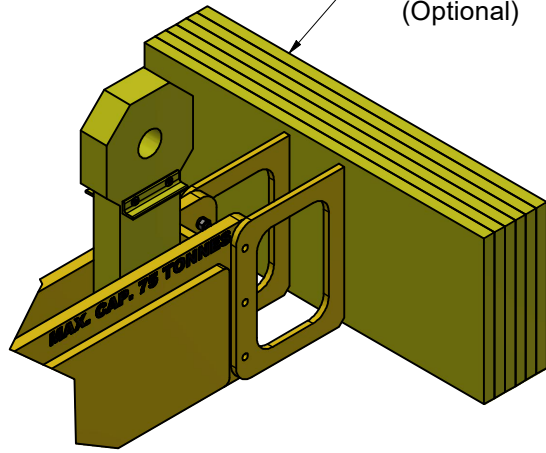
B

B

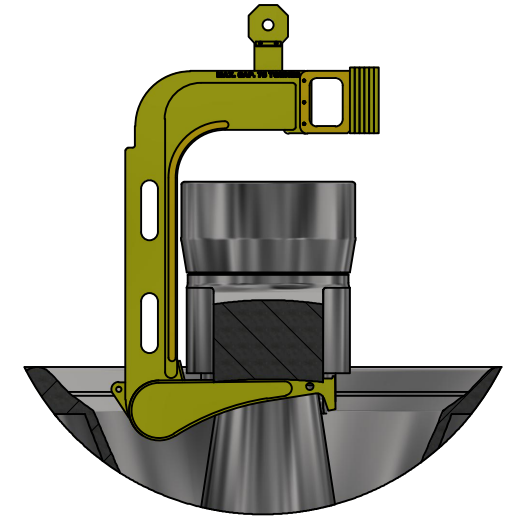
A

A

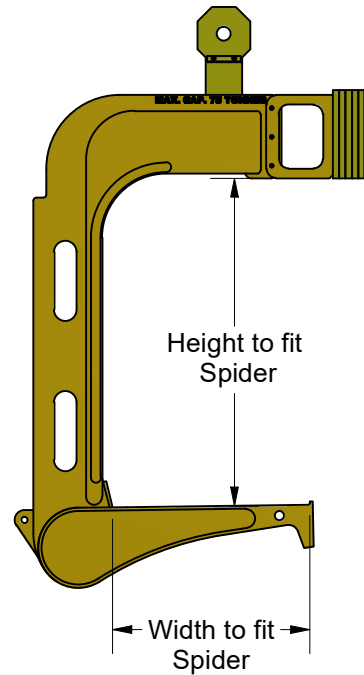
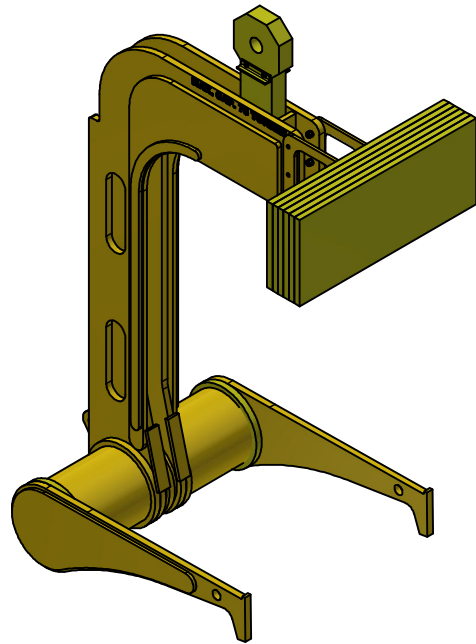
Removable Counter Weight
For Ease of Shipping
(Optional)



Lug Positioned to angle Spider



Lug Positioned to lift Spider



Height to fit
Spider

Width to fit
Spider

Under 70 Ton Capacity Spider Hook

SKU: P-0155

70-99 Ton Capacity Spider Hook

SKU: P-0154

Over 100 Ton Capacity Spider Hook

SKU: P-0153

Lifting Lug Supplied with Spider Hook

All Spider Hooks to follow BTH Lifting Device
Standards and Procedures

TRISTAR
DESIGN & MANUFACTURING, INC.
www.tristardesign.com

Spider Hook

General Arrangement

DRAWING NO.

SKU: P-0155 - P-0153

5

4

3

2

1