

5

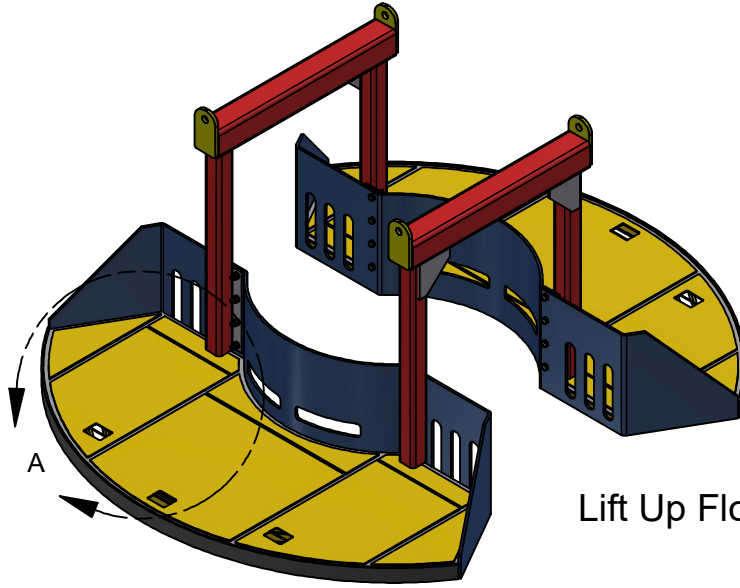
4

3

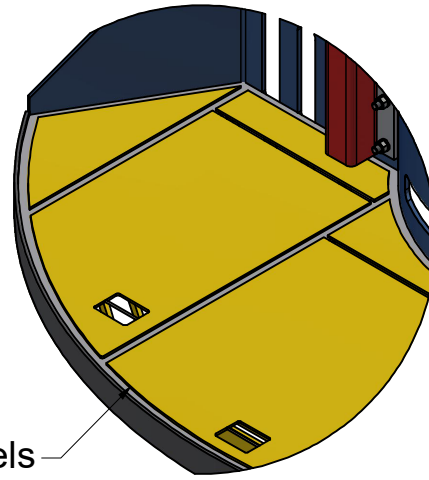
2

1

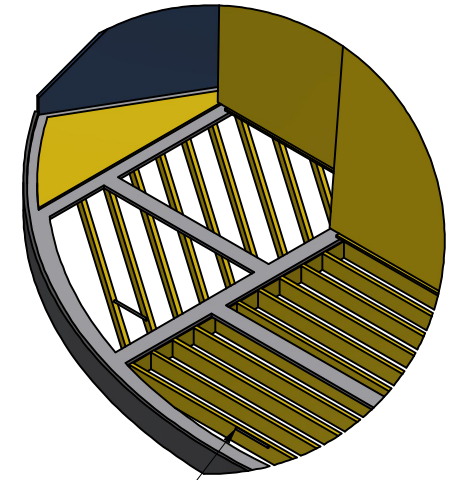
Access doors to view crusher



Lift Up Floor Panels

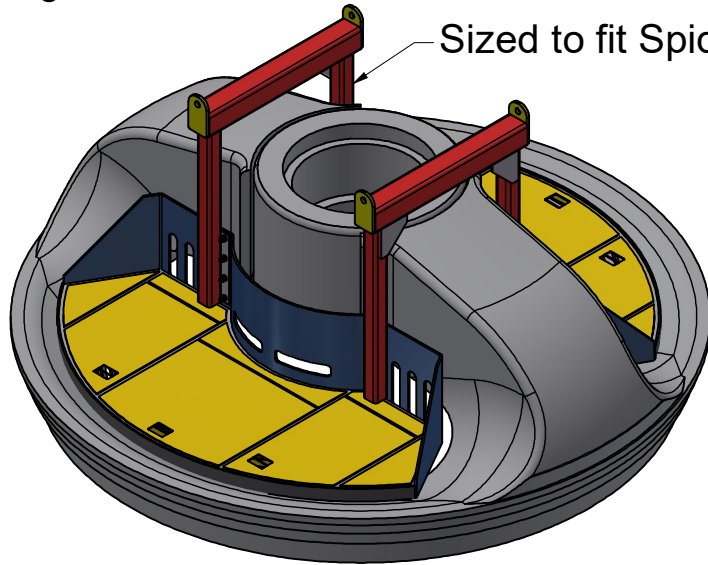
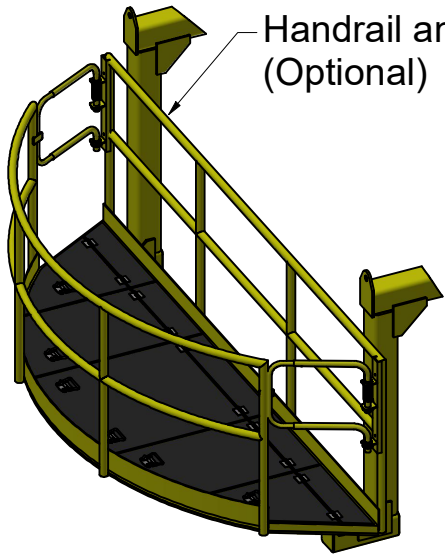


Grating Provides Access & Protection During Tramp Removal



Handrail and Swing Gate (Optional)

Sized to fit Spider



Large Spider Access Deck
SKU: P-0150

Small Spider Access Deck
SKU: P-0151

Spider Access Deck may rest on spider ring or spider arm depending on orientation of spider

Spider Access Deck

General Arrangement

DRAWING NO.

SKU: P-0150 & P-0151

TRISTAR
DESIGN & MANUFACTURING, INC.
www.tristardesign.com