

5

4

3

2

1

D

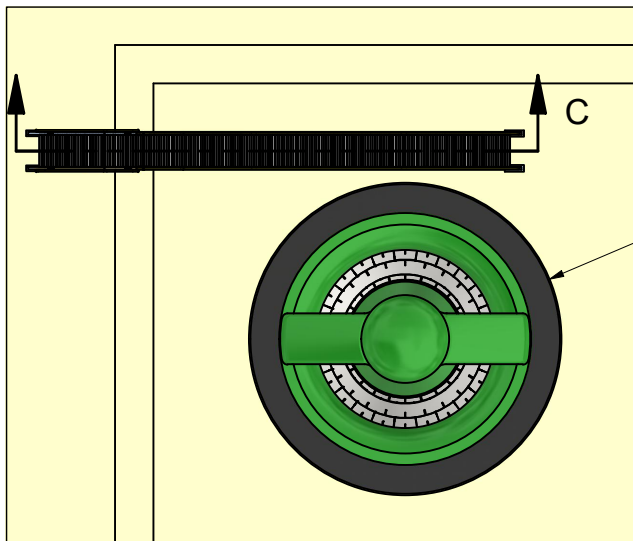
C

C

D

C

C



Crusher



All Access Stairs To follow OSHA Standards and Regulations

0' - 10' Dump Pocket Height:  
SKU: P-0212

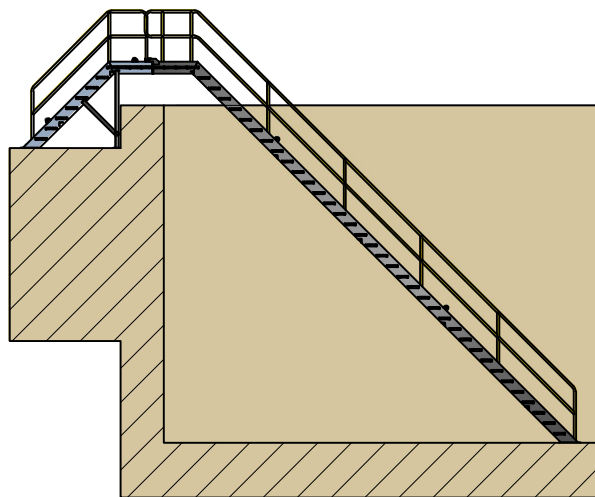
10' - 15' Dump Pocket Height:  
SKU: P-0213

15' - 20' Dump Pocket Height:  
SKU: P-0214

20' - 30' Dump Pocket Height:  
SKU: P-0215

B

B



Dump Pocket Height

SECTION C-C

A

A

**TRI STAR**  
 DESIGN & MANUFACTURING, INC.  
 www.tristardesign.com

Pricing Does not include additional landings or platforms  
 Stairs may Ship in Sections depending on Size and Length of Stairs

Dump Pocket Access Stairs

General Arrangement

DRAWING NO.

SKU: P-0212 - P-0215

CONTACT: Tristar Design & Manufacturing

PH: (480) 345-1699

FAX: (480) 345-9859

EMAIL: Admin@tristardesign.com

5

4

3

2

1